

ESTIMATED WEIGHT SUMMARY

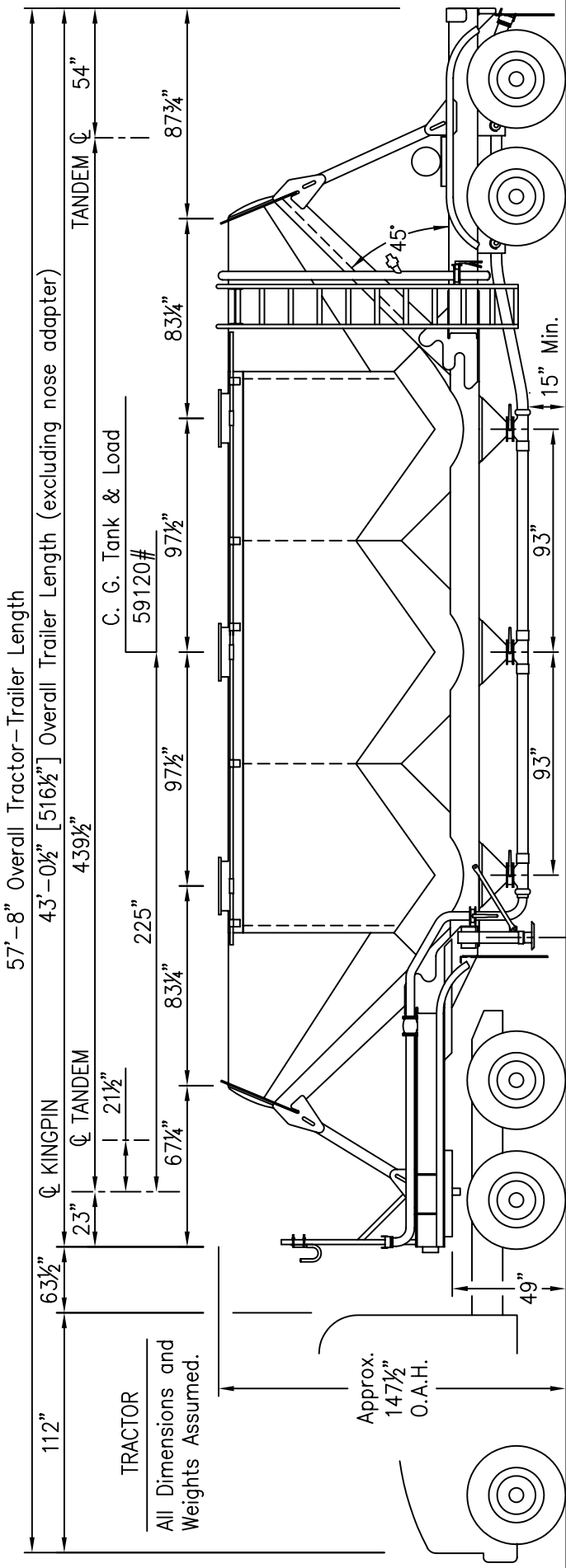
Payload	909 Cu.Ft. @ 60 #/Cu.Ft.	54520 #
Tank	4600 #	*Trailer 8980
Chassis	4380 #	16500
Tractor		80000 #
Total		

75.7% Shell Full	59000 #
Max. Load	68000 #
GVMR	20000 #
GAWR	

\*Trailer weight does not include any customer added equipment such as hoses, fittings, etc.

MODEL: HAB-HA2-LT1200X3  
 CONSTRUCTION: ALUMINUM  
 (96" WIDTH)

THIS UNIT IS ENGINEERED AND CONSTRUCTED OF MATERIALS SHOWN TO HAUL THE COMMODITIES INDICATED AND IS INTENDED FOR OPERATION AT REASONABLE SPEEDS UNDER NORMAL ROAD CONDITIONS. NO RESPONSIBILITY SHALL BE ASSUMED BY LBT, INC. FOR:  
 1. WEIGHTS OR CAPACITY OF TRACTOR  
 2. OVERLOADS OR DAMAGE IF COMMODITY WEIGHTS EXCEED THOSE SHOWN OR MODEL RATING.  
 3. DAMAGE CAUSED BY COMMODITIES, CLEANING, OR OPERATION NOT COMPATIBLE WITH MATERIALS OF CONSTRUCTION SPECIFIED.  
 SEE ATTACHED SHEET(S) FOR SPECIFICATIONS.



8700 #	7800 #	3850 #
3300	26200	30150
12000 #	34000 #	34000 #
Tractor Coupler Load Total		Chassis Tank & Load Total
34000 #		34000 #
38'-11 1/2"		52'-10 1/2"

NOTE: DRAWING NOT TO SCALE

REF:

OPERATION NATIONAL NETWORK

		P.O. BOX 24209 OMAHA, NE 68124-0209 T: (402) 333-4900 F: (402) 333-0685	
CUSTOMER	NATIONAL NETWORK		
DEALER			
COMMODITY	CEMENT, FLY ASH		
CAPACITY	1200 CU.FT. S.F.		
DATE	BY	BKZ 9931	