

ESTIMATED WEIGHT SUMMARY

Payload	682 Cu.Ft. @ 80 #/Cu.Ft.	54540 #
Tank	4580 #	*Trailer
Chassis	4380 #	8960
Tractor	16500	80000 #
Total		

68.2% Shell Full	58000 #
Max. Load	68000 #
GVWR	20000 #
GAWR	

*Trailer weight does not include any customer added equipment such as hoses, fittings, etc.

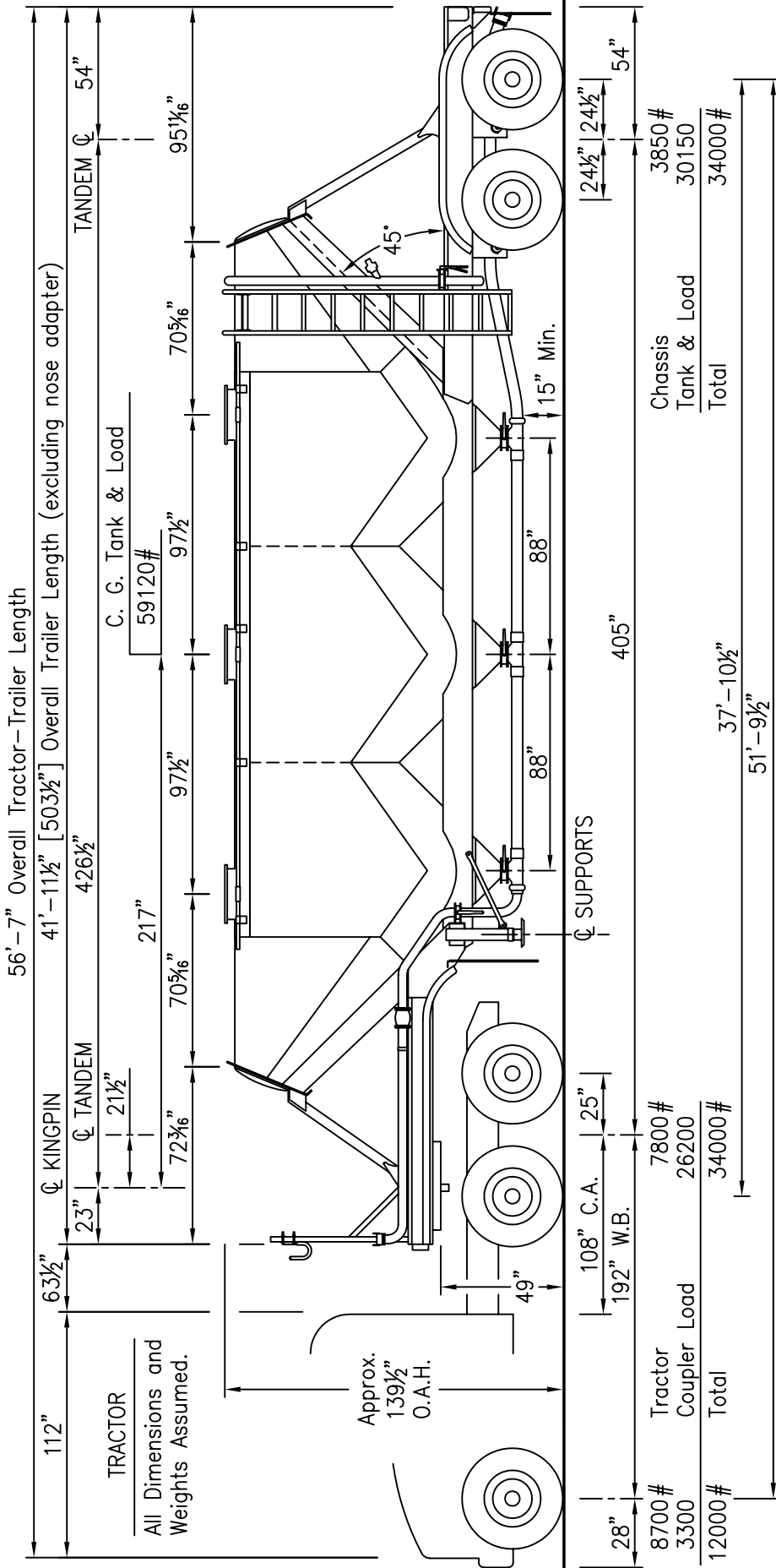
MODEL: HAB-HA2-J1000X3

Sheet 1 of 6

CONSTRUCTION: ALUMINUM

(96" WIDTH)

THIS UNIT IS ENGINEERED AND CONSTRUCTED OF MATERIALS SHOWN TO HAUL THE COMMODITIES INDICATED AND IS INTENDED FOR OPERATION AT REASONABLE SPEEDS UNDER NORMAL ROAD CONDITIONS. NO RESPONSIBILITY SHALL BE ASSUMED BY LBT, INC. FOR:
 1. WEIGHTS OR CAPACITY OF TRACTOR
 2. OVERLOADS OR DAMAGE IF COMMODITY WEIGHTS EXCEED THOSE SHOWN OR MODEL RATING.
 3. DAMAGE CAUSED BY COMMODITIES, CLEANING, OR OPERATION NOT COMPATIBLE WITH MATERIALS OF CONSTRUCTION SPECIFIED.
 SEE ATTACHED SHEET(S) FOR SPECIFICATIONS.



NOTE: DRAWING NOT TO SCALE

REF:

OPERATION NATIONAL NETWORK

LET.	REVISIONS	ENG.	DATE
P.O. BOX 24209 OMAHA, NE 68124-0209 T: (402) 333-4900 F: (402) 333-0685			
CUSTOMER			
DEALER			
COMMODITY	CEMENT		
CAPACITY	1000 CU.FT. S.F.		
DATE	BY	BKZ 9920C	