

BKZ 9921C

ESTIMATED WEIGHT SUMMARY

Payload	679 Cu.Ft. @ 80 #/Cu.Ft.	54340#
Tank	4780 #	*Trailer
Chassis	4380 #	16500
Tractor		80000#
Total		

61.8% Shell Full	58000 #
Max. Load	68000 #
GVWR	20000 #
GAWR	20000 #

*Trailer weight does not include any customer added equipment such as hoses, fittings, etc.

MODEL: HAB-HA2-J1100X3

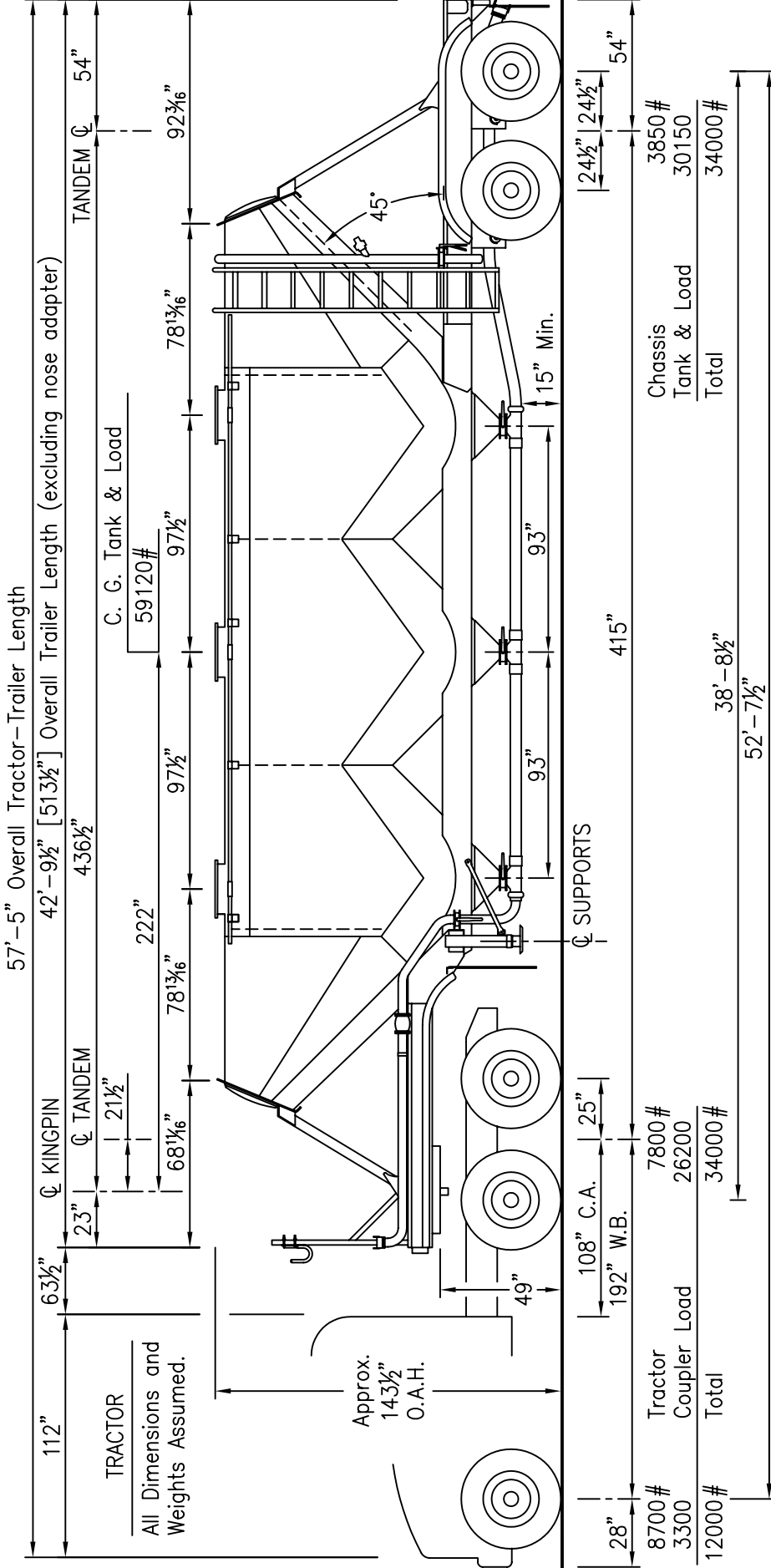
Sheet 1 of 6

CONSTRUCTION: ALUMINUM

(96" WIDTH)

THIS UNIT IS ENGINEERED AND CONSTRUCTED OF MATERIALS SHOWN TO HAUL THE COMMODITIES INDICATED AND IS INTENDED FOR OPERATION AT REASONABLE SPEEDS UNDER NORMAL ROAD CONDITIONS. NO RESPONSIBILITY SHALL BE ASSUMED BY LBT, INC. FOR:

1. WEIGHTS OR CAPACITY OF TRACTOR
 2. OVERLOADS OR DAMAGE IF COMMODITY WEIGHTS EXCEED THOSE SHOWN OR MODEL RATING.
 3. DAMAGE CAUSED BY COMMODITIES, CLEANING, OR OPERATION NOT COMPATIBLE WITH MATERIALS OF CONSTRUCTION SPECIFIED.
- SEE ATTACHED SHEET(S) FOR SPECIFICATIONS.



NOTE: DRAWING NOT TO SCALE

REF:

OPERATION NATIONAL NETWORK

CUSTOMER		P.O. BOX 24209	
DEALER		OMAHA, NE 68124-0209	
COMMODITY CEMENT		T: (402) 333-4900	
CAPACITY 1100 CU.FT. S.F.		F: (402) 333-0685	
DATE		BY	
BKZ 9921C		BY	



REVISIONS

ENG.

DATE