

ESTIMATED WEIGHT SUMMARY

Payload	683 Cu.Ft. @ 80 #/Cu.Ft.	54640 #
Tank	4480 #	8860
Chassis	4380 #	16500
Tractor		80000 #
Total		

62.1% Shell Full	59000 #
Max. Load	68000 #
GVWR	20000 #
GAWR	

*Trailer weight does not include any customer added equipment such as hoses, fittings, etc.

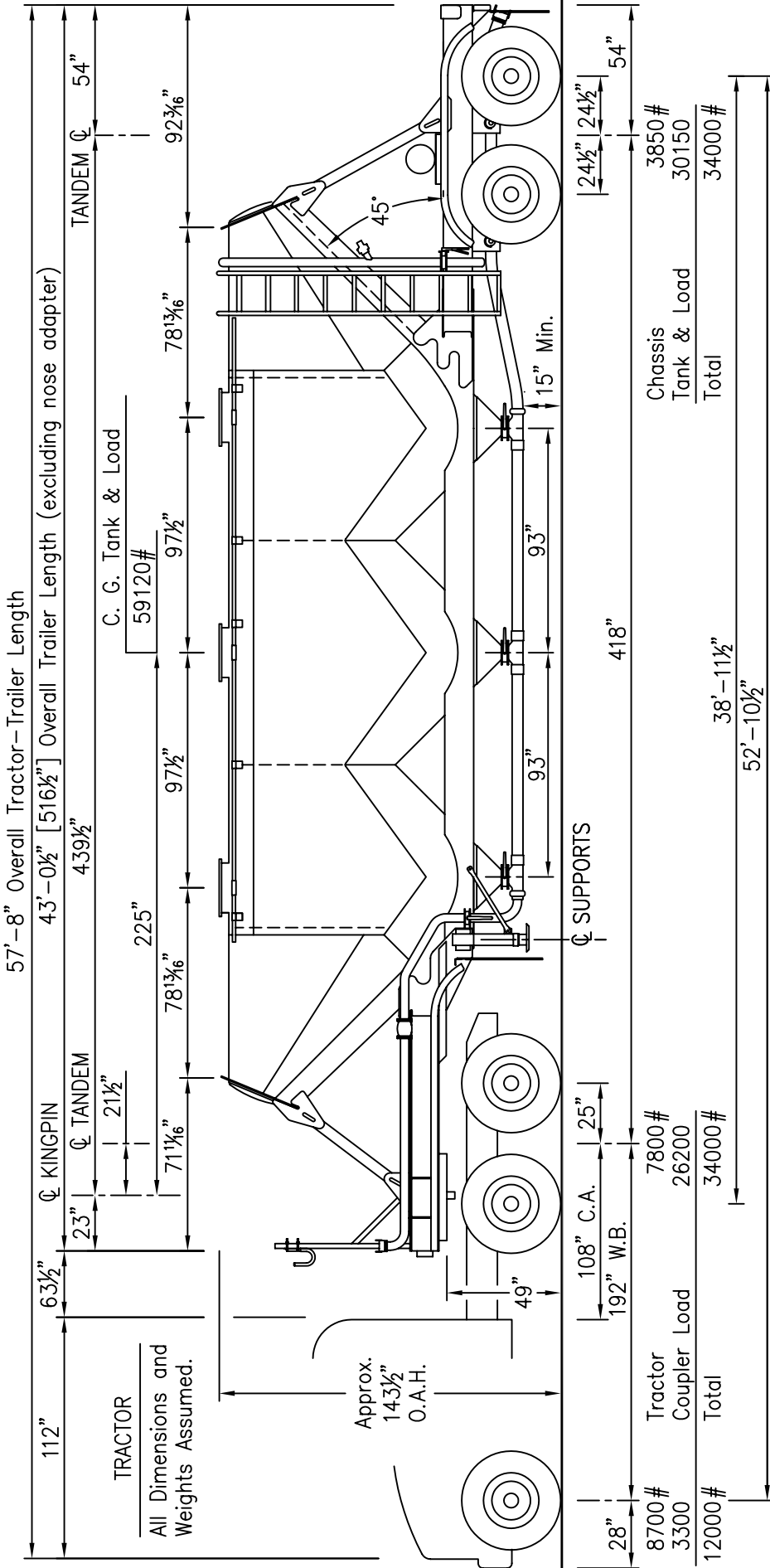
MODEL: HAB-HA2-LT1100X3

Sheet 1 of 6

CONSTRUCTION: ALUMINUM

(96" WIDTH)

THIS UNIT IS ENGINEERED AND CONSTRUCTED OF MATERIALS SHOWN TO HAUL THE COMMODITIES INDICATED AND IS INTENDED FOR OPERATION AT REASONABLE SPEEDS UNDER NORMAL ROAD CONDITIONS. NO RESPONSIBILITY SHALL BE ASSUMED BY LBT, INC. FOR:
 1. WEIGHTS OR CAPACITY OF TRACTOR
 2. OVERLOADS OR DAMAGE IF COMMODITY WEIGHTS EXCEED THOSE SHOWN OR MODEL RATING.
 3. DAMAGE CAUSED BY COMMODITIES, CLEANING, OR OPERATION NOT COMPATIBLE WITH MATERIALS OF CONSTRUCTION SPECIFIED.
 SEE ATTACHED SHEET(S) FOR SPECIFICATIONS.



NOTE: DRAWING NOT TO SCALE

REF:

OPERATION NATIONAL NETWORK

LET.	REVISIONS	ENG.	DATE
P.O. BOX 24209 OMAHA, NE 68124-0209 T: (402) 333-4900 F: (402) 333-0685			
CUSTOMER		OPERATION NATIONAL NETWORK	
DEALER			
COMMODITY CEMENT			
CAPACITY 1100 CU.FT. S.F.			
DATE		BY	
		BKZ 9930	